

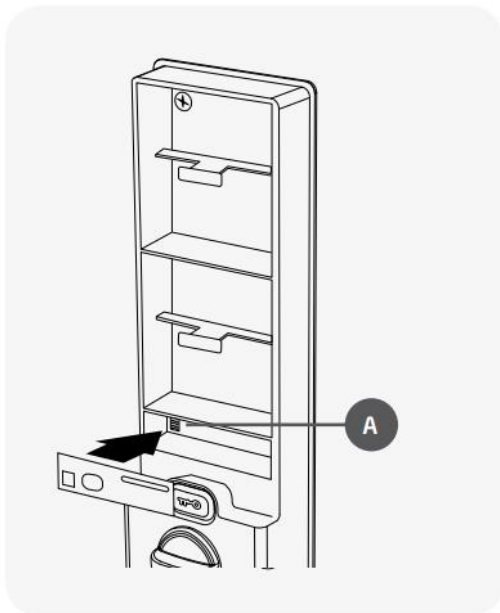


ID Lock

ID Lock 202 Multi

Z-Wave Module (FW 1.6)

English User Manual



1: Place the module in the tray (A) «Remote Module» when batteries are removed.

Adding the lock (Inclusion)

- Open the door
- Remove batteries from the lock
- Place the module in the tray for “Remote Control” (see illustration 1)
- Insert batteries
- Activate “Add node” in the gateway app
Follow the instructions in the gateway manual
- Hold key button (3 secs) to activate panel
- Enter [**Master PIN**], followed by [*****]
 - Master PIN is created upon setup
- Enter digit [**9**], followed by [*****]
- Enter digit [**1**]

Remove the lock (Exclusion)

- Open the door
- Activate “Remove node” in the gateway app
Follow the instructions for your gateway
- Hold key button (3 secs) to activate panel
- Enter [**Master PIN**], followed by [*****]
 - Master PIN is created upon setup
- Enter digit [**9**], followed by [*****]
- Enter digit [**1**]

Reset the module (Z-Wave Local Reset)

- Open the door
- Hold key button (3 secs) to activate panel
- Enter [**Master PIN**], followed by [*****]
 - Master PIN is created upon setup
- Enter digit [**9**], followed by [*****]
- Enter digit [**0**]

NB! *If the module resets while it is included with a gateway, the door lock will factory reset. To prevent this, remove (exclude) the lock first (see: “Remove the lock”).*

Technical details

Technical specs for the Z-Wave module is listed on the next page.

Correct communication mode is activated when batteries are inserted (v1.6 only).

Warning!

The batteries must be removed before the Z-Wave Module is inserted or removed. Failing to do so can cause damage on the module and/or the lock.

Supported Command Classes

Non-Secure

Class	Value
COMMAND_CLASS_ZWAVEPLUS_INFO_V2	5E
COMMAND_CLASS_MANUFACTURER_SPECIFIC_V2	72
COMMAND_CLASS_SECURITY_V1	98
COMMAND_CLASS_DEVICE_RESET_LOCALLY_V1	5A
COMMAND_CLASS_POWERLEVEL_V1	73
COMMAND_CLASS_CONFIGURATION_V1	70

Secure

Class	Value
COMMAND_CLASS_VERSION_V2	86
COMMAND_CLASS_DOOR_LOCK_V2	62
COMMAND_CLASS_USER_CODE_V1	63
COMMAND_CLASS_ASSOCIATION_V2	85
COMMAND_CLASS_ASSOCIATION_GRP_INFO_V1	59
COMMAND_CLASS_NOTIFICATION_V4	71
COMMAND_CLASS_FIRMWARE_UPDATE_MD_V2	7A
COMMAND_CLASS_BATTERY_V1	80

Configuration Parameters

COMMAND_CLASS_CONFIGURATION (Default value **BOLD**)

Name	Parameter	Size	Value	Description
Lock Mode	1	1	0	Manual lock/Away off
			1	Auto lock/Away off
			2	Manual lock/Away on
			3	Auto lock/Away on
RFID Mode	2	1	5	RFID reader activated
			9	RFID reader deactivated
Hinge Direction	3	1	0	Not used for IDL-202
			1	
Audio Volume	4	1	0	Silent
			1	Very low
			2	Low
			3	Medium low
			4	Medium
			5	Medium high
ReLock Mode	5	1	0	ReLock off
			1	ReLock on
			0	Deactivated
			1	1x use
			2	2x uses
			3	5x uses
Service PIN Mode (index 108)	6	1	0	Deactivated
			1	1x use
			2	2x uses
			3	5x uses
			4	10x uses
			5	Random PIN 1x use
			6	Random PIN 24h use
			7	Always valid
			8	12 hours use
			9	24 hours use
FE	Disabled			
Model Type	7	1	CA	CA = 202 (Read-only)
Updater Mode	8	1	0	Off (no sound)
			1	On (no sound)
			2	Off
			3	On
Master PIN Unlocks	9	1	0	No
			1	Yes

User Code

COMMAND_CLASS_USER_CODE_V1

Z-Wave identifier	ID Lock index	Description
1-25 (0x00 – 0x19)	1-25	User PINs
26-51 (0x1A – 0x32)	1-25	RFID key fobs
52-107 (0x33 – 0x6B)	-	<i>Reserved for later use</i>
108 (0x6C)	1	Service PIN
109 (0x6D)	1	Master PIN

User ID Status

Value	Description
0x00	Available (not set) <i>When user code is deleted</i>
0x01	Occupied <i>When user code is registered</i>
0xFE	Status not available <i>When user code is disabled</i>

Notification Parameters

COMMAND_CLASS_NOTIFICATION (V4)

Type	Event	Description
Access Control (0x06)	0x01	Manual lock or key button lock
	0x02	Manual unlock or key button unlock
	0x03	Locked remotely (ID: 0)
	0x04	Remotely unlocked (ID: 0) or RFID Unlock (ID: Index)
	0x05	Locked from keypad
	0x06	Unlocked from keypad
	0x09	Auto locked and ReLock
	0x0B	Lock jammed
	0x0C	All user codes deleted
	0x0D	Single user code deleted
	0x0E	Single user code added
	0x0F	New code not added, duplicate
	0x14	Unlock attempt unknown RFID
	0x15	Unlock attempt unknown PIN
	Home Security (0x07)	0x03
0x00		Idle <i>Notified after valid PIN is entered</i>
Emergency (0x0A)	0x02	Fire sensor triggered
	0x00	Idle <i>Notified after valid PIN is entered</i>

Notification examples

Keypad lock

Type	Event	Length	Value 1
0x06	0x05	0x01	0x00

Lock jammed

Type	Event	Length
0x06	0x0B	0x00

Unlock attempt unknown PIN «2 2 2 2»

Type	Event	Length	Value 1	Value 2	Value 3
0x06	0x15	0x02	0x01	0x22	0x22

Manufacturer parameter

COMMAND_CLASS_MANUFACTURER_SPECIFIC_V2

Name	Value	Description
Manufacturer ID	0x0373	ID Lock AS
Product Type ID	0x03	PRODUCT_TYPE_ID_ZWAVE_PLUS
Product ID	0x01	PRODUCT_ID_DoorLockKeyPad

Association & Association Group Parameter

ID Lock support 1 association group with 5 devices.

Notification reports are sent unsolicited to devices included in the association group.

Grouping identifier: 1

Name: Lifeline

Version Parameter

COMMAND_CLASS_VERSION_V2

Name	Value	Remark
Z-Wave Protocol Library Type	0x03	
Z-Wave Protocol Version	0x04	
Z-Wave Protocol Sub Version	0x05	
Firmware 0 Version	0x01	Z-Wave Module with firmware v1.6
Firmware 0 Sub Version	0x06	
Hardware Version	0x01	
Number of Firmware targets	0x01	
Firmware 1 Version	0x01	ID Lock 150 with firmware v1.5.6
Firmware 1 Sub Version	0x56	



Revision: 1.0
Date approved: 2023-07-06
Approved by: ØNB
Language: English