

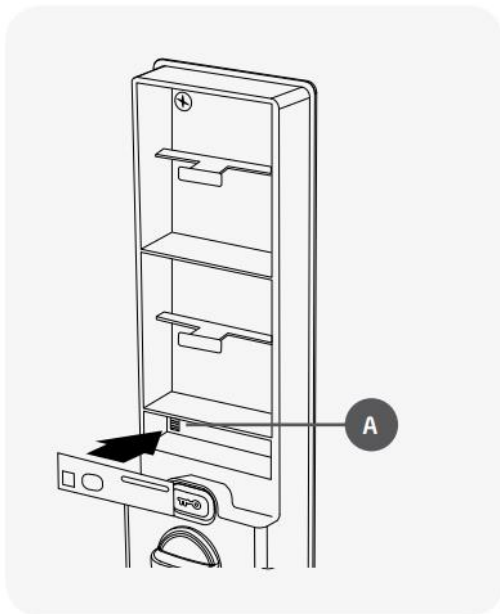


ID Lock

ID Lock 202 Multi

Zigbee Module

English User Manual



1: Place the module in the slot(A) marked "Remote Control" after removing batteries.

Add lock

- Open the door.
- Remove batteries.
- Place the module in the slot marked "Remote Control" (see illustration 1).
- Insert batteries.
- Activate "Add unit" in the app for your hub.
Please follow instructions from you hub manufacturerer.
- The module is added by itself.
A blue LED flashes when the module synchronizes and is added.
Sounds may be heard from the lock during the adding process.

Remove lock

- Open the door.
- Hold key button until panel is activated.
- Enter [**Master PIN**], followed by [*****]
- Enter digit [**9**], followed by [*****]
- Enter digit [**0**]

Manual sync

- Open the door.
- Hold key button until panel is activated.
- Enter [**Master PIN**], followed by [*****]
- Enter digit [**9**], followed by [*****]
- Enter digit [**1**]

Technical preferences

Please refer to the next page for technical details and properties for the Zigbee module.

Warning!

The batteries **must** be removed when removing and placing the module in the ID Lock 202 Multi. If not, the module can take damage and might not function as intended.

Basic cluster (0x0000)

Attributes

Identifier	Name	Type	Value
0x0000	ZCL version	INT8U (0x20)	3
0x0001	Application version	INT8U (0x20)	2
0x0002	Stack version	INT8U (0x20)	65
0x0004	Manufacturer name	ASCII_STR (0x42)	Datek
0x0005	Model identifier	ASCII_STR (0x42)	ID Lock 202
0x0007	Power source	ENUM8 (0x30)	3
0x4000	Build id	ASCII_STR (0x42)	2.0
0xfffd	Cluster revision	INT16U (0x21)	1

Basic cluster (0x0000)

Manufacturer specific attributes

Identifier	Name	Type	Value
0x5000	Lock fw	ASCII_STR (0x42)	1.0.1

Power Configuration cluster (0x0001)

Attributes

Identifier	Name	Type	Value
0x0021	Battery percentage	INT8U (0x20)	45
0xfffd	Cluster revision	INT16U (0x21)	1

Identity cluster (0x0003)

Attributes

Identifier	Name	Type	Value
0x0000	Identify time	INT16U (0x21)	0
0xfffd	Cluster revision	INT16U (0x21)	1

Commands

0x00: Identify

0x01: IdentifyQuery

Door lock cluster (0x0101)

Manufacturer specific attributes

Ident.	Name	Type	Value
0x4000	Master PIN mode	BOOLEAN (0x10)	True: Master PIN unlock ENABLED False: Master PIN unlock DISABLED
0x4001	RFID enabled	BOOLEAN (0x10)	True: RFID ENABLED False: RFID DISABLED
0x4002	Hinge mode	BOOLEAN (0x10)	Not used
0x4003	Service PIN mode	INT8U (0x20)	0: Deactivated (default) 1: 1x use 2: 2x uses 3: 5x uses 4: 10x uses 5: Random PIN 1x use 6: Random PIN 24 hours 7: Always valid 8: 12 hours 9: 24 hours
0x4004	Lock mode	INT8U (0x20)	0: Auto lock OFF/Away mode OFF 1: Auto lock ON/Away mode OFF 2: Auto lock OFF/Away mode ON 3: Auto lock ON/Away mode ON
0x4005	Relock enabled	BOOLEAN (0x10)	True: ReLock ON False: ReLock OFF
0x4006	Audio volume	INT8U (0x20)	0: Volume off 1-5: Volume level 5: Default

Note! Service PIN mode 5 and 6 returns a random generated PIN and mode 1 or 9. Available from firmware 1.5.5.

Door lock cluster (0x0101)

Attributes

Ident.	Name	Type	Value
0x0000	Lock state	ENUM8 (0x30)	0x00: not fully locked 0x01: locked 0x02: unlocked 0xff: undefined
0x0001	Lock type	ENUM8 (0x30)	0x00 (deadbolt)
0x0002	Actuator enabled	BOOLEAN (0x10)	False
0x0003	Door state	ENUM8 (0x30)	0x00: open 0x01: closed 0x02: error jammed 0x03: error forced open 0x04: error unspecified 0xff: undefined
0x0012	Num PIN users	INT16U (0x21)	25
0x0013	Num RFID users	INT16U (0x21)	25
0x0017	Max pin length	INT8U (0x20)	10
0x0018	Min pin length	INT8U (0x20)	4
0x0024	Sound volume	INT8U (0x20)	0x00: Silent 0x01: Low 0x02: High
0x0033	Require PIN for RF operation	BOOLEAN (0x10)	0xffff
0x0041	Keypad operation event mask	BITMAP16 (0x19)	0xffff
0x0042	RF operation event mask	BITMAP16 (0x19)	0xffff
0x0043	Manual operation event mask	BITMAP16 (0x19)	0xffff
0x0044	RFID operation event mask	BITMAP16 (0x19)	0xffff
0x0045	Keypad programming event mask	BITMAP16 (0x19)	0xffff
0x0046	RF programming event mask	BITMAP16 (0x19)	0xffff
0x0047	RFID programming event mask	BITMAP16 (0x19)	0xffff
0xfffd	Cluster revision	INT16U (0x21)	1

Commands

0x00: Lock Door

0x01: Unlock Door

0x05: Set PIN

0x06: Get PIN

0x07: Clear PIN

0x08: Clear all PINs



Revision: 0.1
 Approved date: 2023-07-06
 Approved by: ØNB
 Language: English